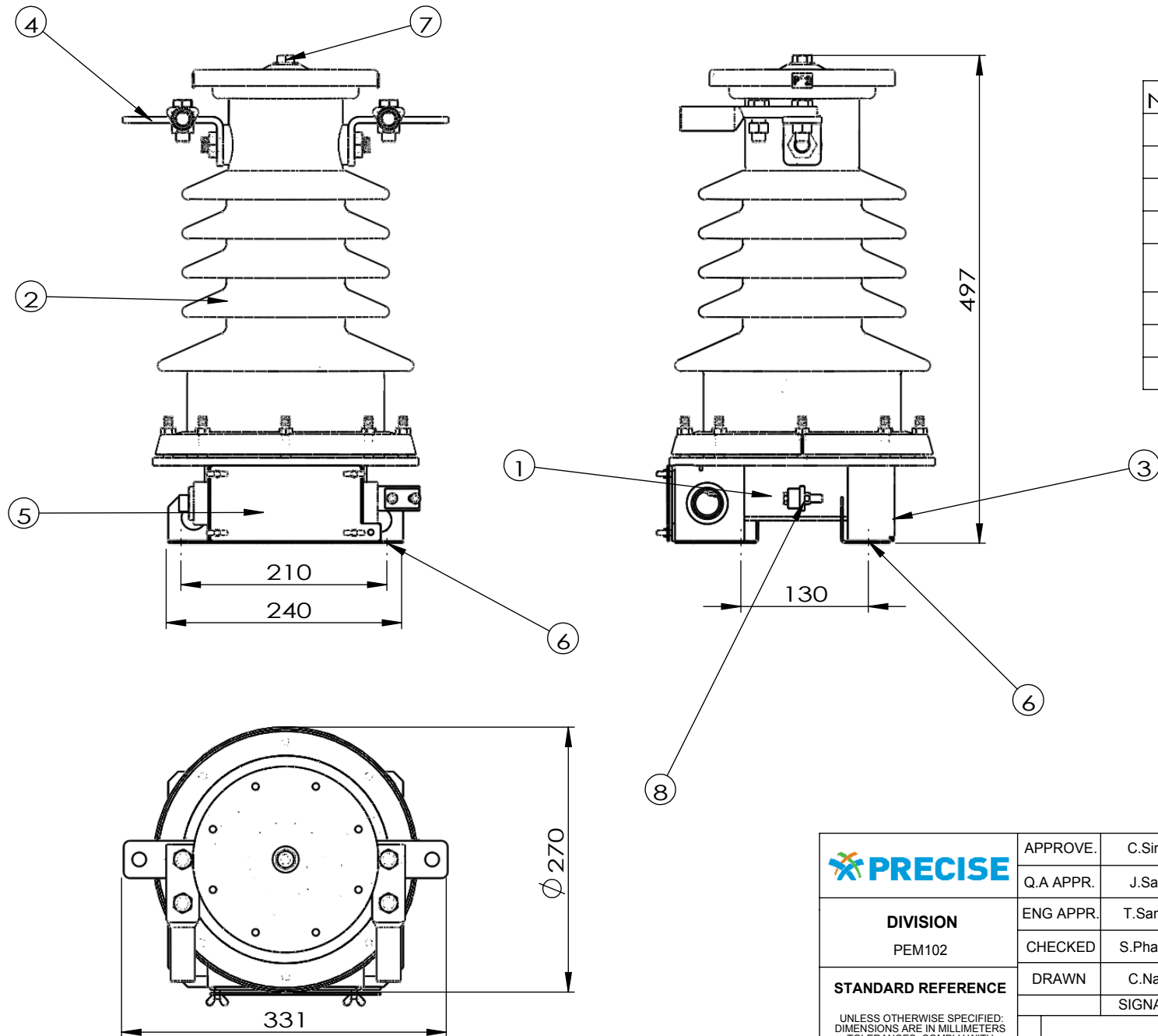


OUTLINE DRAWING



No.	DESCRIPTION
1	CT TANK
2	INSULATOR
3	NAME PLATE
4	HV TERMINAL
5	SECONDARY TERMINAL BOX
6	MOUNTING HOLE ϕ 15 mm.
7	OIL FILLING PLUG
8	EARTHING CLAMP

Note: $\pm 10\%$ Tolerance For Free Dimension

	APPROVE.	C.Sirichai	20/5/15	DESCRIPTION: Outline drawing Current transformer COL-24 (Type 10/5 up to 150/5 A)
	Q.A APPR.	J.Sasipak	20/5/15	
	ENG APPR.	T.Sarawoot	20/5/15	
DIVISION PEM102	CHECKED	S.Phatsakon	20/5/15	CODE NO. COL-24/P1-1
	DRAWN	C.Nakarin	20/5/15	SURFACE TREATMENT:
STANDARD REFERENCE UNLESS OTHERWISE SPECIFIED: DIMENSIONS ARE IN MILLIMETERS TOLERANCES: COMPLY WITH DIN 7168 - g 	SIGNATURE		DATE	MATERIAL:
	REVISION DETAIL			SCALE: NTS
				REV. NO.