

Drop-Out Fuse Cutout Single-Vent Type

Rated voltage : 38 kV

Rated continuous current : 100 A

Rated interrupting current : 8 kA (Asym)

BIL : up to 170 kV



Drop-Out Fuse Cutout Single-Vent Type

- U-tah drop-out fuse cutout type DH301 is designed to meet ANSI-NEMA standard.
- Rated voltage 38 kV.
- Rated continuous 100 A.
- Interrupting current 8 kA(Asym.)
- High efficiency to protect distribution lines and equipments.
- Interchangability.
- ISO 9001 certified.

Reliability

Every U-tah drop-out fuse cutout switch meets ANSI/NEMA standard.

U-tah drop-out fuse cutouts have been widely used for many years by both industries and power utilities in Thailand.

High Quality

Carefully selected materials coupled with high standard workmanship bring U-tah drop-out fuse cutout switches to the high quality level. The power utilities have experienced dependable performance of U-tah drop-out fuse cutout in tropical climate at its full ratings in out door application.

Production & Quality Control

All U-Tah Type DH drop-out fuse cutouts are manufactured to fully meet the international standards.

Foreign technical cooperation helps assure manufacturing process, quality conformity, testing and quality control.

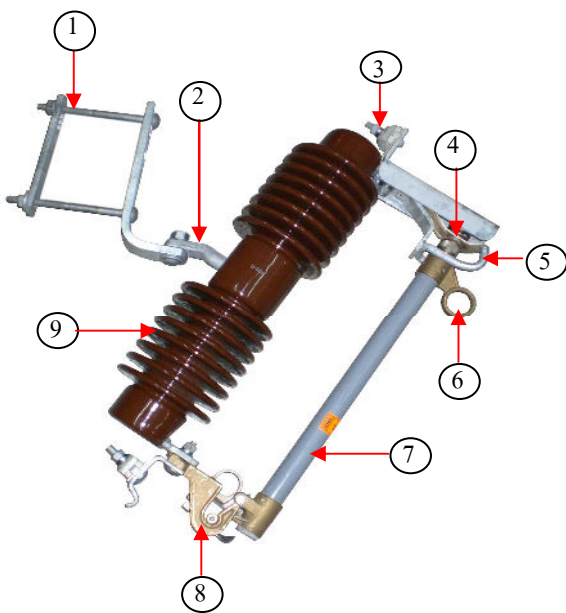
Efficient Interruptability

U-tah drop-out fuse cutout effects and dependable interruption of any current from minimum melting to maximum fault within the rating. Consistent performance is assured by glass fiber reinforced epoxy resin small bore tube and spring load feature.

Drop-Out Fuse Cutout

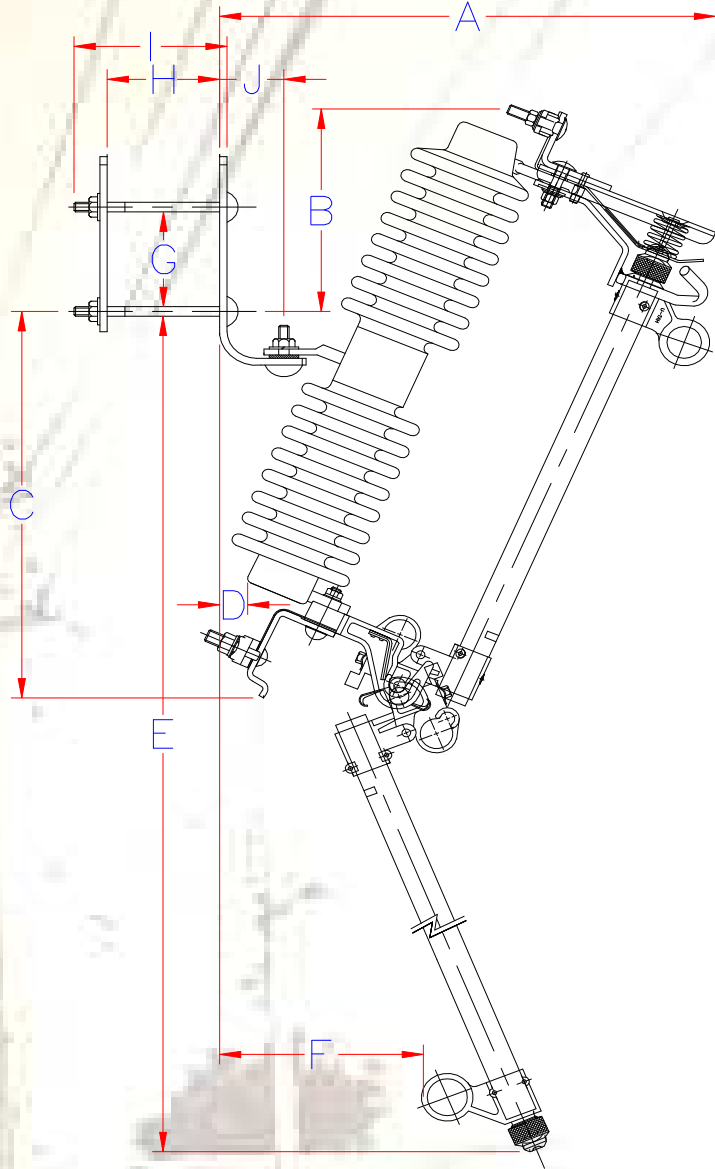
Single-Vent Type

Specification	U-tah Drop-Out Fuse Cutout Single-Vent Type	
Type	DH301	
Rated nominal voltage (kV)	34.5	
Rated maximum voltage (kV)	38.0	
Rated continuous current (A)	100	
Rated frequency (Hz)	50/60	
Rated interrupting current (kA)(Asym)	8	
Insulator	Normal	Heavy duty type
Creepage distance to ground (mm.)	650	900
Rated power withstand voltage (kV)		
- Dry test (1min.)	70	70
- Wet test (10sec.)	60	60
BIL (kV)	150	170



1. Bracket : A NEMA Duty Type-B mounting bracket.
2. Mounting Insert : Made of galvanized steel.
3. Terminal : For conductor size range 35-120 sqmm.
4. Upper contact : silver plated at the both surface.
5. Load Break Hook : Galvanized steel serves also to guide the fuse tube during closing.
6. Pulling Eye : For standard hook stick operated.
7. Fuse tube : Vulcanized liner with epoxy glass fiber reinforced.
8. Hinge support : Bronze which highly conductive and high strength.
9. Insulator : Brown glazed porcelain and high mechanical strength.

Drop-Out Fuse Cutout Single-Vent Type



TYPE	DIMENSION (mm.)										WEIGHT (kg.)
	A	B	C	D	E	F	G	H	I	J	
DH301	450	180	365	20	830	110	105-131	68-131	152	57	12.950