

COVER INSULATION

Cover for Dropout Fuse Cutouts

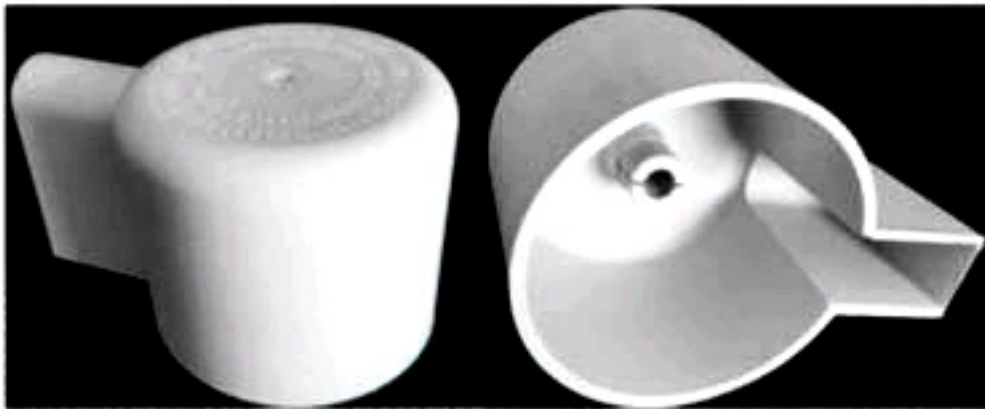
AG-S920 Insulation Cover for bushing for dropout fuse cutouts is used in medium voltage (22-33 KV.) system over-head lines. Cover has manufactured certificate ISO 9001 and successfully passed the test requirements according to the latest version of IEC 60695-11-10, IEC60243-1, ASTM.D638-03 and TIS293.



Upper part & Lower part

Cover for Lightning Arresters

AG-0106 Insulation Cover for lightning arresters is used in medium voltage (22-33 KV.) system over-head lines. Cover has manufactured certificate ISO 9001 and successfully passed the test requirements according to the latest version of IEC 60695-11-10, IEC60243-1, ASTM.D638-03 and TIS293.



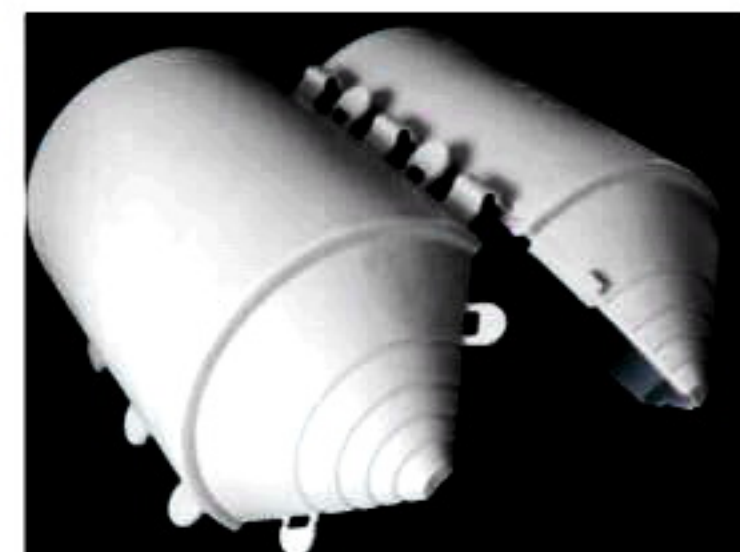
Cover for Bushing of Distribution Transformers

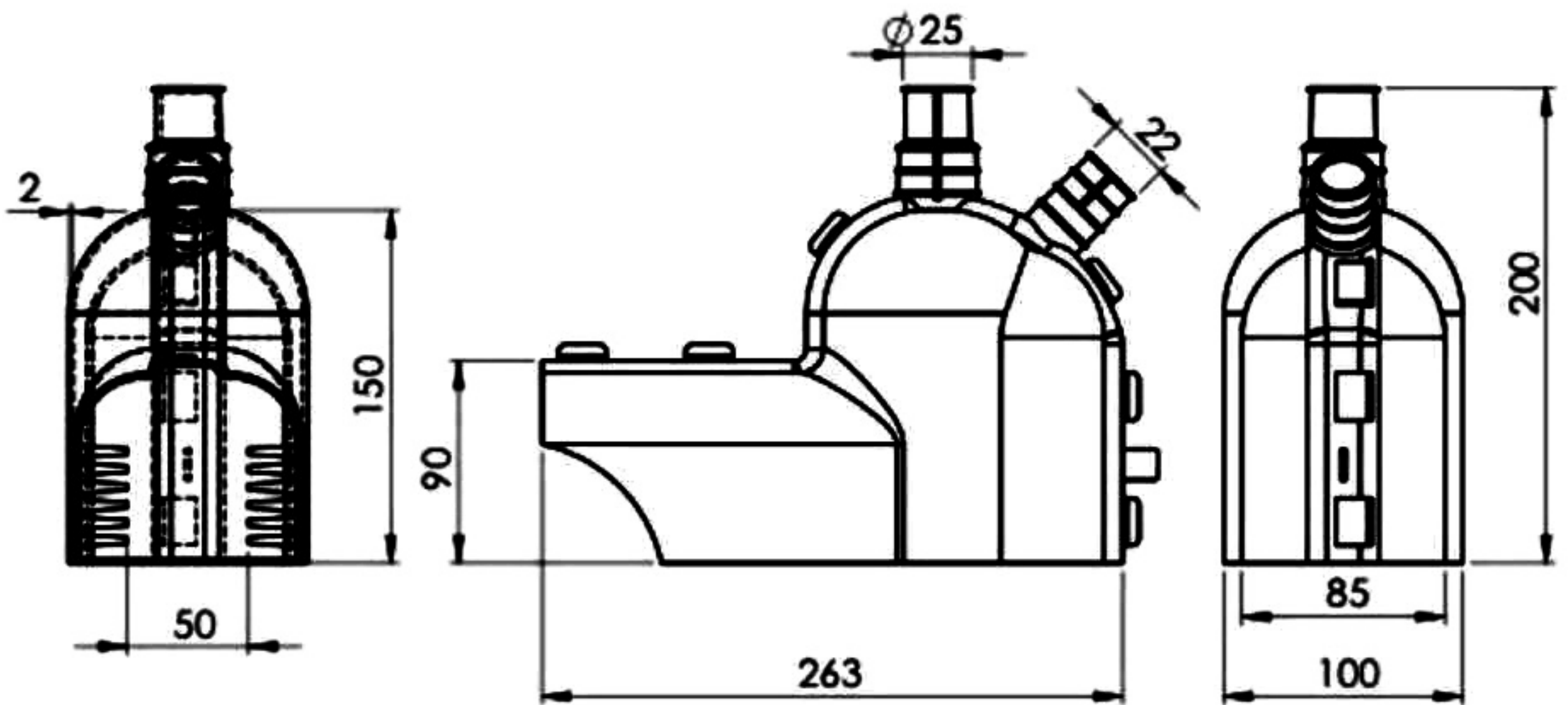
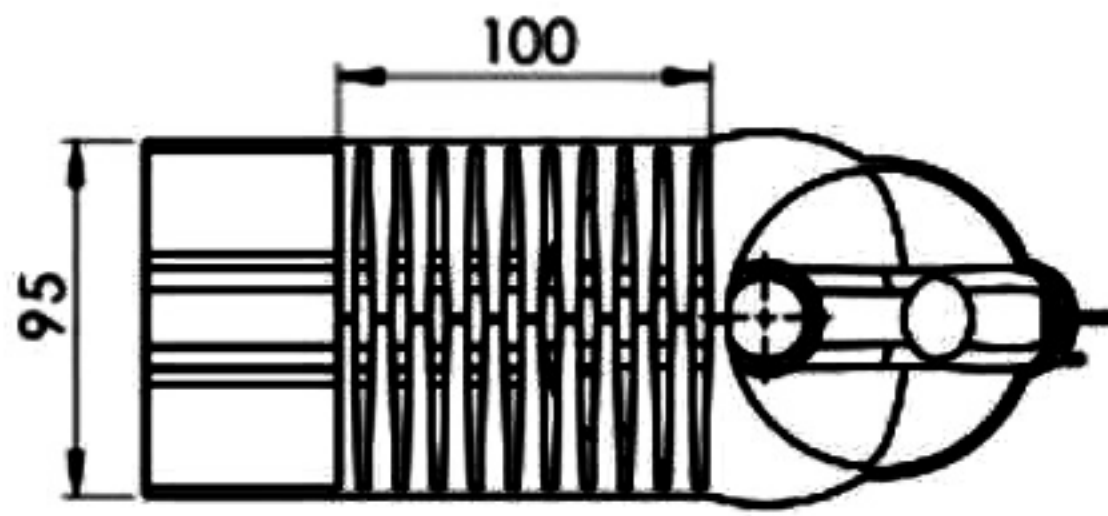
AG-1004 Insulation Cover for bushing of distribution transformers is used in medium voltage (22-33 KV.) system over-head lines. Cover has manufactured certificate ISO 9001 and successfully passed the test requirements according to the latest version of IEC 60695-11-10, IEC60243-1, ASTM.D638-03 and TIS293.



Cover for Bushing of Voltage Transformers

AG-1004 Insulation Cover for bushing of voltage transformers is used in medium voltage (22-33 KV.) system over-head lines. Cover has manufactured certificate ISO 9001 and successfully passed the test requirements according to the latest version of IEC 60695-11-10, IEC60243-1, ASTM.D638-03 and TIS293.





NOTE

1. TOLERANCE : $\pm 5\%$

| | | | | |
|------|--|--|---------|-------|
| DRW. | | | DIM. | mm. |
| CHK. | | | MATE | HD PE |
| DATE | | | DRW.NO. | |

FUSE CUTOUT COVER