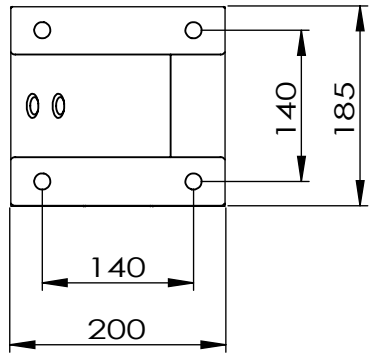
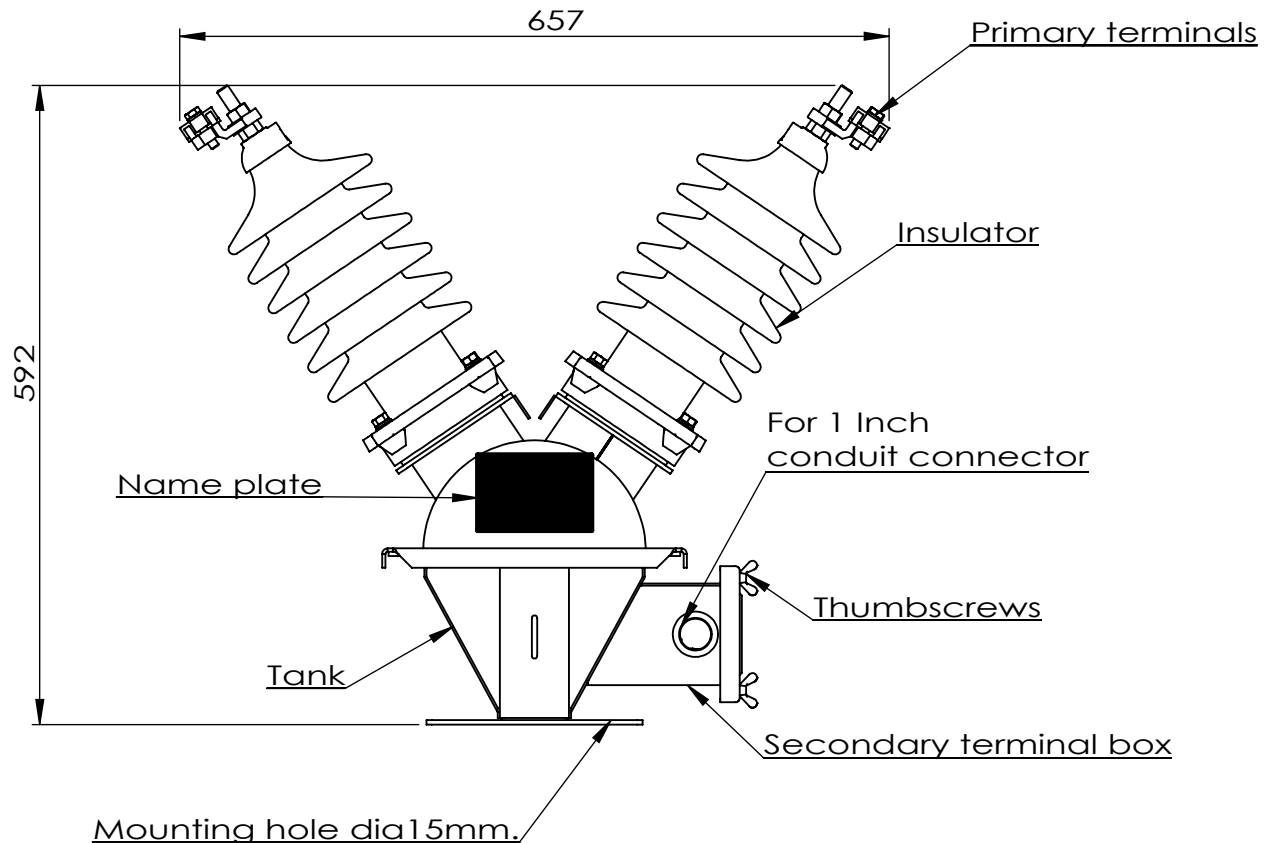


VOLTAGE TRANSFORMER

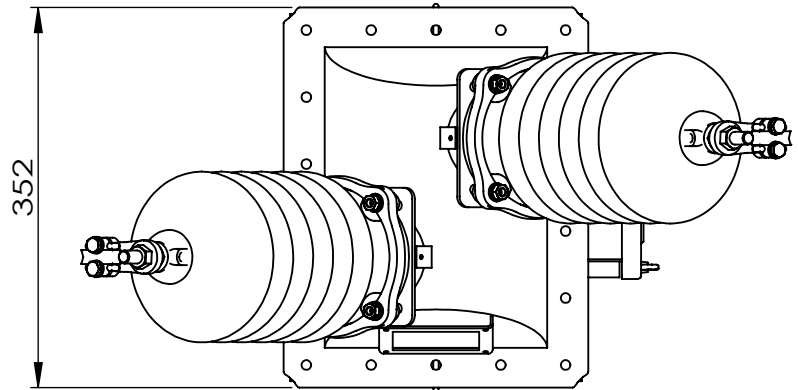
PRECISE

TECHNICAL DATA FOR VOLTAGE TRANSFORMER TYPE VOL-24		
Manufacturer	PRECISE ELECTRIC MFG. CO., LTD.	
Country of origin	Thailand	
Product type	Out door /Oil-immersed	
Applied standard	IEC 61869-3	
Rated frequency	Hz.	50
Highest system voltage	kV.	24
Rated primary voltage	V.	22000
Rated secondary voltage	V.	110
Polarity	Subtractive	
Output burden & Accuracy class	50 VA, Class 0.5	
Voltage factor (Fv)	1.2 Continuous, 1.5 for 30s	
Basic Impulse Level (BIL)		
1) Impulse Withstand Voltage	kV. peak	125
2) Power-Frequency Withstand Voltage		
: Primary winding	kV. _{rms}	50
: Secondary winding	kV. _{rms}	3
Insulation class	A	
Maximum temperature rise of winding	K	60
Maximum ambient temperature	° C	40
Relative humidity	%	100
Installation	Up to 1,000 m. above sea level	
Primary terminal/Primary connector	Solderless clamp type connector	
Secondary terminal	Brass stud M6	
Earth clamp	for 50-95 mm ² conductor.	
Mounting	4 hole 140 x 140 x Dia. 15 mm.	
Creepage distance (minimum)	mm.	600
Total mass (approximate)	kg.	50
Routine tests	According to IEC 61869-3	
Tank	Steel zinc galvanize with colour grey	

OUTLINE DRAWING



Mounting



Note: ± 10% Tolerance For Free Dimension

	APPROVE.	C.Sirichai	20/5/15	DESCRIPTION : Outline drawing Voltage transformer VOL-24
	Q.A APPR.	J.Sasipak	20/5/15	
DIVISION PEM102	ENG APPR.	T.Sarawoot	20/5/15	CODE NO. VOL-24/P1
	CHECKED	S.Phatsakon	20/5/15	
STANDARD REFERENCE UNLESS OTHERWISE SPECIFIED: DIMENSIONS ARE IN MILLIMETERS TOLERANCES: COMPLY WITH DIN 7168 - g 	DRAWN	C.Nakarin	20/5/15	SURFACE TREATMENT: MATERIAL: WEIGHT: SCALE: NTS
	SIGNATURE		DATE	
REVISION DETAIL				