

NOTE : Metric Conversions
 1 inch = 25.4 mm.
 1 pound = 4.448 newtons
 Inch-pound = 0.113 newton-meters

เอกสารไม่ควบคุม

Characteristics :

ANSI Technical Reference Number TR-202

Dimensions :

Leakage Distance, inches (mm.) 10-1/2(266.7)

Mechanical Data :

Cantilever Strength-Upright, Underhung (pounds) 2,000
 Tensile Strength (pounds) 7,000
 Torsional Strength (inch-pounds) 6,000
 Compression Strength (pounds) 10,000
 Tension Proof load (pounds) 1,250

Electrical Data :

Bil Rating (kV.) 95
 Low Frequency Wet Withstand (kV.) 30
 Critical Impulse Flash-over, Positive (kV.) 105
 Impulse Withstand (kV.) 95


Radio-Influence Voltage Data:

Low Frequency Test Voltage (kV.) 5
 Max. RIV-Microvolts at 1,000 kHz. (mV.) 50

Weight :

Net Weight (approx.), kg.(pounds) 4.8(10.58)

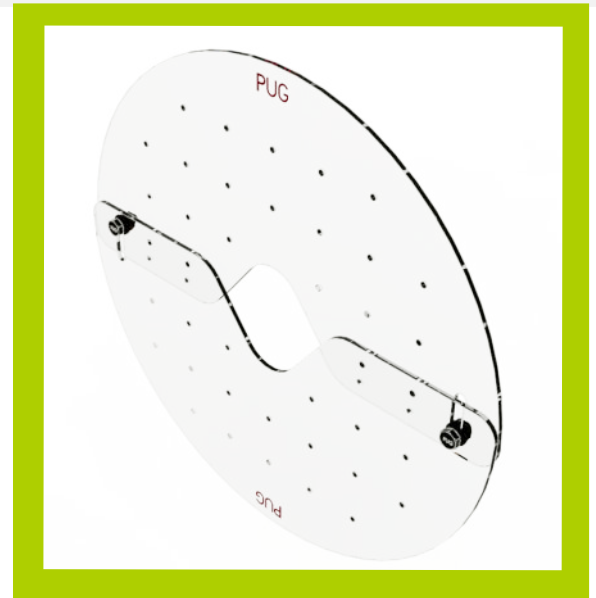
Reference from ANSI No.C29.9

EDIT.	REV.	AMENDMENT/REMARKS	DOC.Control No.	PRODUCT NAME :	PRODUCT CODE :	CODE EXPRESS :	DWN.:
1	0	ประยุกต์ใช้ครั้งแรก	DW-1011	POST INSULATORS TYPE TR-202	PO60		อนันต์
				MATERIAL : PORCELAIN	SCALE : OFF	UNIT : mm.	DWG. NO. DW-PO60-006
				 POWER UTAH GROUP COMPANY LIMITED			CKD.: อนันต์
							APPD.: อนันต์
							EFT.DATE : 27 ก.พ. 59

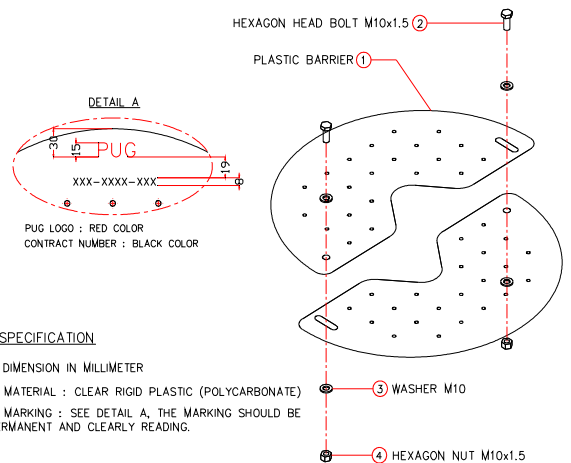
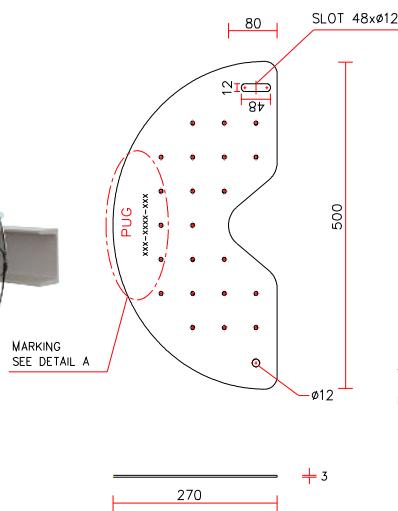


Characteristics

Barrier for installation with ANSI TR202 post insulator (ANSI TR202 station post Insulator) to increase the distance between the ground part and live part. And making animals more difficult to access the live parts.



Specification



SPECIFICATION

1. DIMENSION IN MILLIMETER
2. MATERIAL : CLEAR RIGID PLASTIC (POLYCARBONATE)
3. MARKING : SEE DETAIL A, THE MARKING SHOULD BE PERMANENT AND CLEARLY READING.

ITEM	PART NAME	MATERIAL	Qty.
1	PLASTIC BARRIER	CLEAR RIGID PLASTIC (POLYCARBONATE)	2
2	HEXAGON HEAD BOLT M10x1.5x24.5 mm.	BLACK PLASTIC	2
3	HEXAGON NUT M10x1.5	BLACK PLASTIC	2
4	WASHER M10	BLACK PLASTIC	4

BARRIER
Material :
CLEAR RIGID PLASTIC
(POLYCARBONATE)

HEXAGON NUT
Material : BLACK PLASTIC

HEXAGON HEAD BOLT
Material : BLACK PLASTIC

WASHER
Material : BLACK PLASTIC

ANIMAL BARRIER SET

- ① PLASTIC BARRIER, QTY. 2 PCS
- ② HEXAGON HEAD BOLT M10x1.5, QTY. 2 PCS
- ③ HEXAGON NUT M10x1.5, QTY. 2 PCS
- ④ WASHER M10, QTY. 4 PCS

-EACH SET HAVE TO PUT IN PLASTIC BAG WITH PERFECTLY CLOSE

