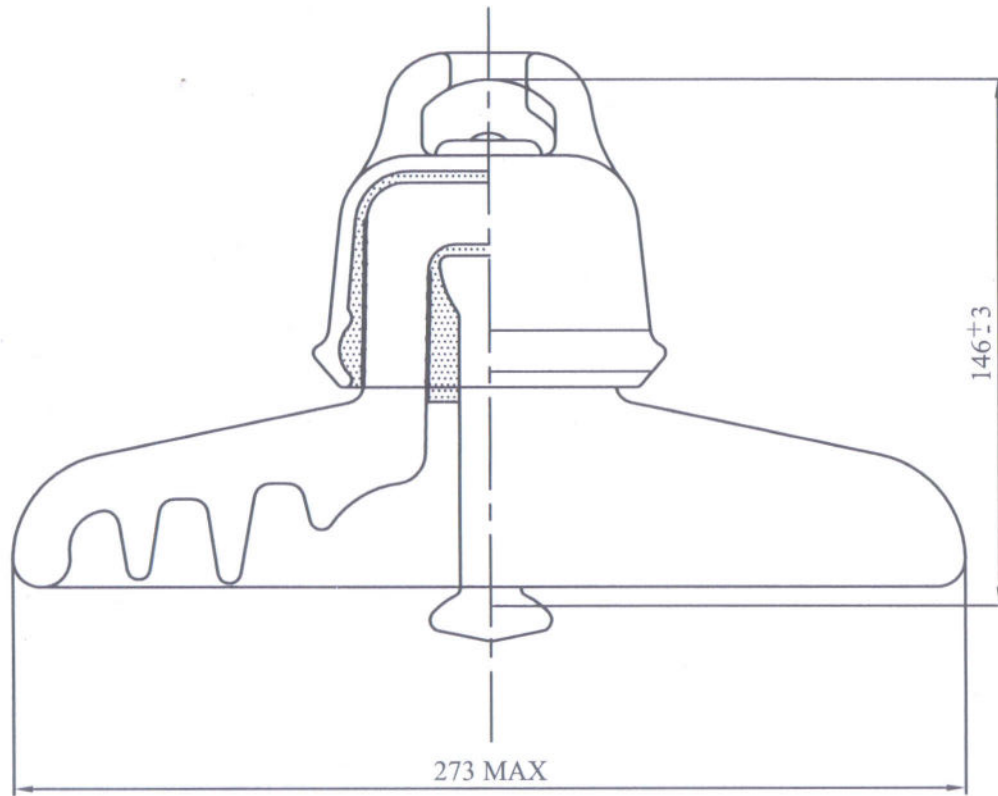


K. อรรถวิ



Leakage distance , mm	292
Combined mechanical and electrical strical strength , kN	66.72
Mechanical impact strength , cm-N	621.34
Tension proof , kN	33.36
Time load , kN	44.48
Low - frequency dry flashover , kilovolts	80
Low - frequency wet flashover , kilovolts	50
Critical - impulse flashover , positive , kilovolts	125
Critical - impulse flashover , negative , kilovolts	130
Low - frequency puncture , kilovolts.	110
Low - frequency test voltage , rms to ground , kilovolts	10
Maximum RIV at 1,000 kHz , microvolts	50
Colour of insulator glazed	Brown
Cylindrical Headed With Sanded Surfaces	

แผ่นที่ 1



INSULATOR SUSPENSION TYPE , ACCORDING TO TIS 354 - 2528 CLASS 52 - 3

CATALOGUE NO. SU - 523

SCALE : NTS.

UNIT: mm.

ISSUE :

DRAWN : *อรรถวิ*

APPROVED :

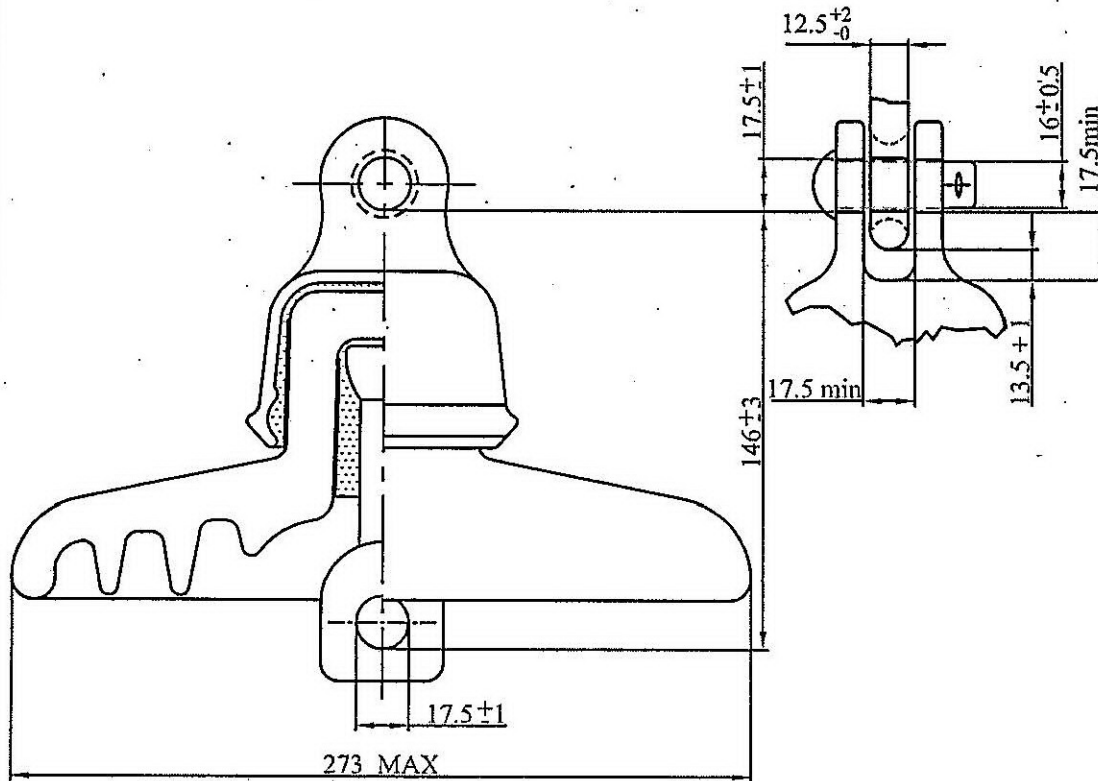
อรรถวิ

MANAGEABLE INSULATOR COMPANY

DATE: 3 / 1 / 2013

DRAWING NO. FAC - 074

COPY #8



Leakage distance, mm	292
Combined mechanical and electrical strical strength, kN	66.72
Mechanical impact strength, cm-N	621.34
Tension proof, kN	33.36
Time load, kN	44.48
Low - frequency dry flashover, kilovolts	80
Low - frequency wet flashover, kilovolts	50
Critical - impulse flashover, positive, kilovolts	125
Critical - impulse flashover, negative, kilovolts	130
Low - frequency puncture, kilovolts	110
Low - frequency test voltage, rms to ground, kilovolts	10
Maximum RIV at 1,000 kHz, microvolts	50
Colour of insulator glazed	Brown
Cylindrical Headed With Sanded Surfaces	

INSULATOR, SUSPENSION TYPE, ACCORDING TO TIS 354 (PORCELAIN) TYPE D
(CLASS 52 - 4), USED IN STRING FOR 22 KV AND 33 KV SYSTEM

CATALOGUE NO. SU - 524

UNIT: mm.

SCALE: NTS.

REV:

DRAWN:

CHECKED:

APPROVED:

FINE ART CERAMIC CO.,LTD

DATE: 1 / 11 / 2007

DRAWING NO. FAC - 080