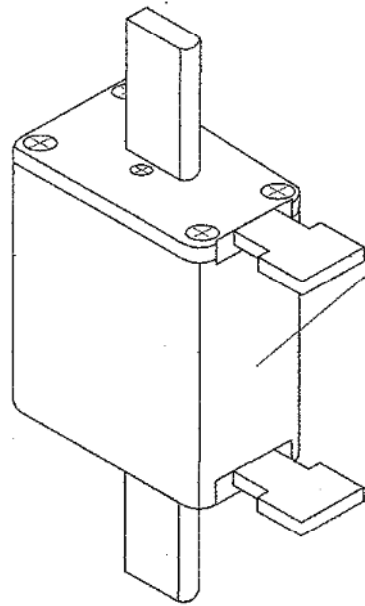
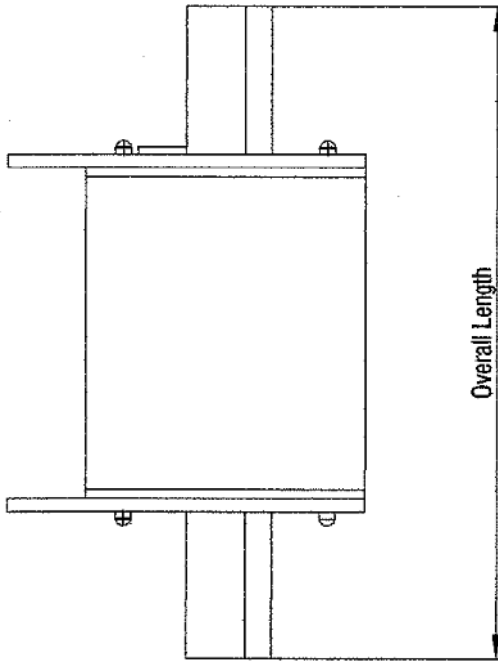


1040020000-9 : H.R.C. Fuse 32-400 A

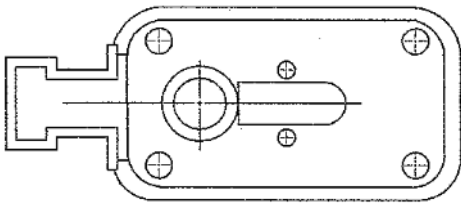


**ARR
NTX**
500V-120kV
Y A
gG-gL $\text{\textcircled{C}}$
IEC 60269

ต้นฉบับ

Technical Data

- Rated Voltage : 415-500 V
- Rated Short Circuit Current : 120 kA



Dimension of H.R.C. Fuse [Standard IEC 60269]

No.	Product Code	Applied Current (Y on Mark)	Type-NT (X on Mark)	Overall Length (mm)	Standard
1	1040020000	32	0	min 125	TIS 2111 , [IEC 60269-2-1 Referred]
2	1040020001	50			
3	1040020002	80			
4	1040020003	100			
5	1040020004	160			
6	1040020005	200	1	min 135	
7	1040020006	250	2	min 150	
8	1040020007	315			
9	1040020008	355			
10	1040020009	400			

Tolerance $\pm 5\%$

Material No. 1040020000-9
PEA Spec.No. RPRO-037/2552
PEA Drawing.No. -

Draft by
Check by
Approved by

A A ELECTRI LI CO.,LTD.
95 Moo5, Lumpo, Bangbuatong
Nonthaburi, Thailand,11110
02 158 4578
www.aal2008.com

Title: Dimension
Project: 1040020000-9
H.R.C. Fuse 32-400 A

Rev.0 Dec,12, 2015	Scale NTS	Dimension mm.	Sheet 1 / 1
Rev.1 Apr,11, 2017	Material	See to drawing	
Revision	DWG No.	1040020000-9-S-01-01	