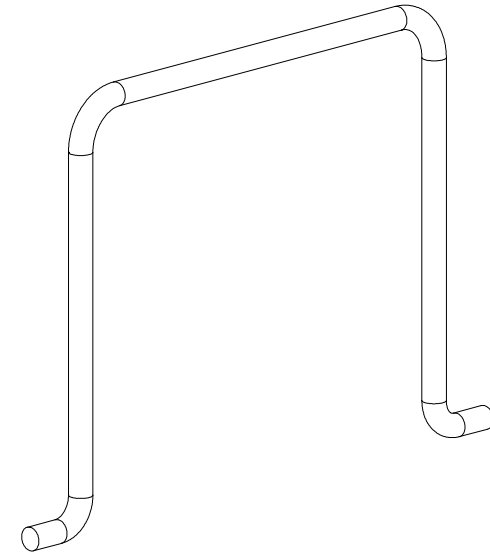


Front View



Iso View

Notes

1. All dimensions are in mm.
2. Material: Mild Steel
3. Finishing: Hot dip galvanized according to PEA. standard.



IAMPONG DEVELOPMENT CO.,LTD

TITLE:

MANHOLE STEP

SIZE A	FSCM No.	DWG. No.DWG_MHS 101	REV.DATE
SCALE 1:6			SHEET 1 OF 1